



Artificial Lift Services

www.Q2als.com

POLISHED RODS

Q2 Artificial Lift Services' Polished Rods are designed to the latest edition of API Specification 11B. Q2 Artificial Lift Services offers polished rods for all applications and conditions.

PRODUCTS

Q2-N50 Stainless Steel

Q2-N50 polished rods are high quality polished rods. These are recommended for high corrosive and high load conditions.

Q2-CS Piston Steel

Q2-CS polished rods are made from cold finished 1045 carbon steel. These are standard polished rod recommended for moderate to heavy loads where corrosion is not a factor.

Q2-AS Alloy Steel

Q2-AS polished rods are made from 4140 alloy steel. These polished rods are stronger than Q2-CS polished rod, and recommended for mild abrasive and corrosive conditions

Q2-SS Stainless Steel

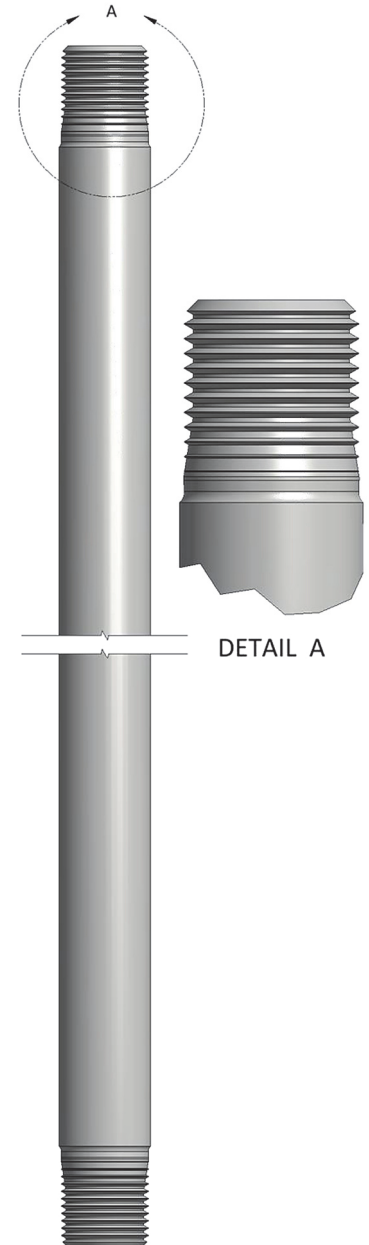
Q2-SS polished rods are made from 431 stainless steel. These polished rod are recommended for moderate to heavy load under good corrosive conditions.

Q2-SM Spray Metal

Q2-SM polished rods are made from cold finished 1045 carbon steel with nickel based spray metal is applied to the OD and available in full or end spray. Nickel powder acts as a corrosion resistant barrier with excellent wear resistance to abrasive particles. These are recommended for medium to heavy loads.

Q2-CP Chrome Plated

Q2-CP polished rods are made from cold finished 1045 carbon steel with electrodeposited chrome plating in applied to the OD. These rods are stronger than the spray metal, and recommended for high abrasive and corrosive conditions.



PHYSICAL PROPERTIES

Base Material

Type	Piston Steel	Alloy Steel	Stainless Steel	
AISI Grade	1045	4140	XM-19	431
Tensile Strength, min, ksi	90	95	135	90
Surface Finish, Ra, μ in.	8-32	8-32	8-32	8-32

Outside Surface Condition

Surface Condition	Spray Metal	Chrome Plated
Thickness, min per side, in.	0.008	0.003
Hardness, min, HV ₂₀₀	480	900
Surface Finish, Ra, μ in.	8-32	8-32

SPECIFICATIONS

O.D.		1-1/8"		1-1/4"		1-1/2"	
Polish Rod Thread Size		5/8 Pin	3/4 Pin	3/4 Pin	7/8 Pin	7/8 Pin	1 Pin
Types		Part Number					
Piston Steel		651C(L)V-C	651C(L)W-C	651D(L)W-C	651D(L)X-C	651F(L)X-C	651F(L)Y-C
Alloy Steel		652C(L)V-A		652D(L)W-A		652F(L)X-A	652F(L)Y-A
Stainless Steel		653C(L)V-SS	653C(L)W-SS	653D(L)W-SS	653D(L)X-SS	653F(L)X-SS	653F(L)Y-SS
Chrome Plated		654C(L)V-CP	654C(L)W-CP	654D(L)W-CP	654D(L)X-CP	654F(L)X-CP	654F(L)Y-CP
Spray Metal	End Spray	655C(L)V-ES		655D(L)W-ES		655F(L)X-ES	655F(L)Y-ES
	Full Spray	655C(L)V-FS		655D(L)W-FS		655F(L)X-FS	655F(L)Y-FS
N50 Stainless Steel		657C(L)V-N		657D(L)W-N		657F(L)X-N	657F(L)Y-N

When ordering, specify polished rod length (L) in feet.

