



Q2-D GUIDE

Q2-D Guide is designed to protect the valve rod by stabilizing and minimizing wear on the valve rod and valve rod guide.

A standard valve rod guide wears out by side loading in the deviated wells, which may also wear the pump hold down, resulting in pump failure.

FEATURES

Q2-D Guide features a three component design consisting of a clutch, carbide insert and body. The clutch and body are available in Carbon Steel, Stainless Steel, Monel and Brass. Other materials are available to suit your well conditions and to increase pump run life.

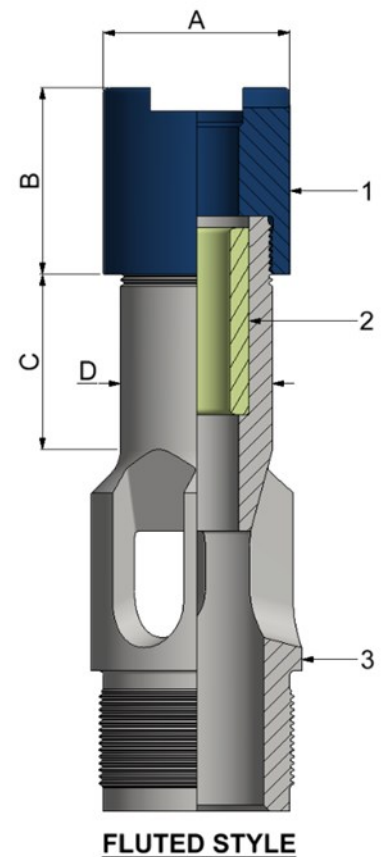
Available in Fluted or Vertical Ported Configurations.

ADVANTAGES

- Minimizes wear on rod guide
- Improves pump run life
- Eliminated hold down assembly wear.
- Minimizes pump failure when pounding.

Guide, Valve Rod, Insert Guided Assembly, Fluted Style, Pin End

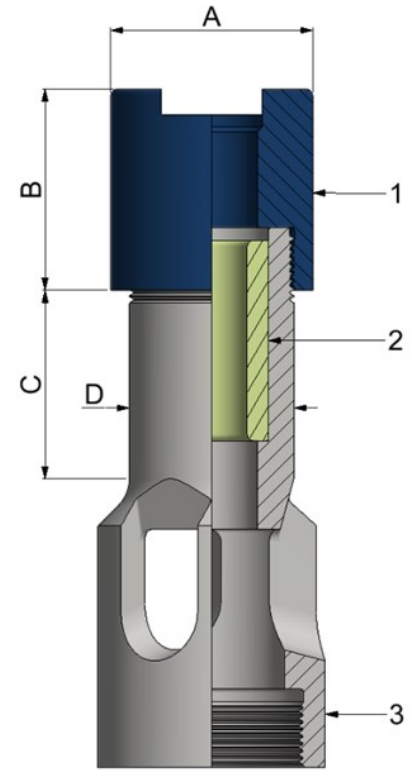
Tubing Size		2-3/8"		2-7/8"	
Thread Size		1.5730-16		2.0870-16	
Fishing Neck Dimensions	A	1.625"		2.000"	
	B	2.000"		2.000"	
	C	2.188"		1.875"	
	D	1.375"		1.625"	
Assembly Part Number		71K-IG	71K1-IG	71N-IG	71N1-IG
Valve Rod Size		11/16"	7/8"	7/8"	1-1/16"
Item	Description	Component Part Number			
1	Clutch Nut	70K-IG2	70K-IG2	70N-IG2	70NS-IG2
2	Insert	70F-IG3	70K-IG3	70K-IG3	70N-IG3
3	Body	71K-IG1	71K-IG1	71N-IG1	71N1-IG1



Q2-D GUIDE SPECIFICATIONS

Guide, Valve Rod, Insert Guided Assembly, Fluted Style, Box End

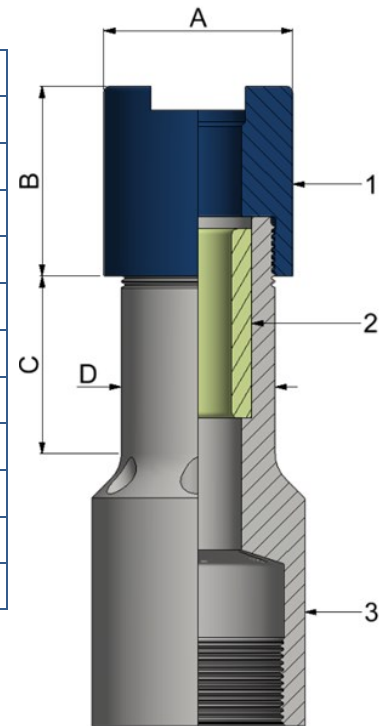
Tubing Size		2-3/8"		2-7/8"		
Thread Size		1.4704-14		1.8024-14		
Fishing Neck Dimensions	A	1.625"		2.000"		
	B	2.000"		2.000"		
	C	2.188"		1.875"		
	D	1.375"		1.625"		
Assembly Part Number		70K-IG	70K1-IG	70N-IG	70N2-IG	70NS-IG
Valve Rod Size		11/16"	7/8"	7/8"	11/16"	1-1/16"
Item	Description	Component Part Number				
1	Clutch Nut	70K-IG2	70K-IG2	70N-IG2	70N-IG2	70NS-IG2
2	Insert	70F-IG3	70K-IG3	70K-IG3	70F-IG3	70N-IG3
3	Body	70K-IG1	70K-IG1	70N-IG1	70N-IG1	70NS-IG1



FLUTED STYLE

Guide, Valve Rod, Insert Guided Assembly, Vertical Ported Style, Box End

Tubing Size		2-3/8"		2-7/8"		
Thread Size		1.4704-14		1.8024-14		
Fishing Neck Dimensions	A	1.625"		2.000"		
	B	2.000"		2.000"		
	C	2.188"		1.875"		
	D	1.375"		1.625"		
Assembly Part Number		70K-V-IG	70K1-V-IG	70N-V-IG	70N2-V-IG	70NS-V-IG
Valve Rod Size		11/16"	7/8"	7/8"	11/16"	1-1/16"
Item	Description	Component Part Number				
1	Clutch Nut	70K-IG2	70K-IG2	70N-IG2	70N-IG2	70NS-IG2
2	Insert	70F-IG3	70K-IG3	70K-IG3	70F-IG3	70N-IG3
3	Body	70K-V-IG1	70K-V-IG1	70N-V-IG1	70N-V-IG1	70NS-V-IG1



VERTICAL PORTED STYLE

Notes:

When ordering, indicate clutch and body part number by adding the following prefixes:

Blank – Carbon Steel

B – Brass

M – Monel

S – Stainless Steel

Insert material is Cobalt Alloy.

Contact sales for other materials to suite your well condition.

