

Q2-TUBING DRAIN

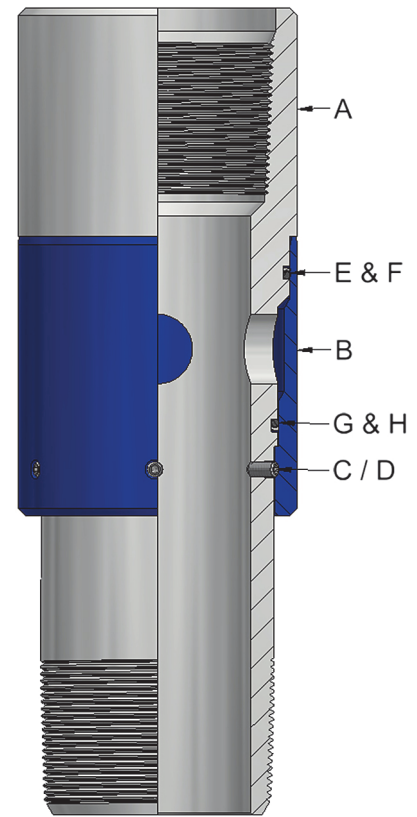
Q2-Tubing Drains are of the sleeve-activation type. Q2-Tubing Drain allows the fluid to be drained from the tubing string to avoid tripping.

FEATURES

Q2-Tubing Drain contains a sliding sleeve secured with shear pins on a body with large ports. Q2-Tubing Drain is activated with internal tubing pressure to yield the shear screws, which slides sleeve along the body that, in turn opens the ports on the tubing wall and lets fluid flow into the annulus. The activation pressure can be adjusted by using the required number of shear screws.

SPECIFICATIONS

Tubing Size		2-3/8"	2-7/8"	3-1/2"	4-1/2"
EUE-8RD Thread Size		2-3/8"	2-7/8"	3-1/2"	4-1/2"
OD		3.438"	3.875"	4.500"	5.625"
Assembly Part Number		500K	500N	500Q	500U
Item	Description	Component Part Number			
A	Body	500K1	500N1	500Q1	500U1
B	Sleeve	500K2	500N2	500Q2	500U2
C	Brass Shear Pin	500N3-450			
D	Stainless Shear Pin	500N4-1000			
E	Upper O-Ring	500K5F	500N5F	500Q5F	500U5F
F	Upper Back-up O-Ring	500K7T	500N7T	500Q7T	500U7T
G	Lower O-Ring	500K6F	500N6F	500Q6F	500U6F
H	Lower Back-up O-Ring	500K8T	500N8T	500Q8T	500U8T



NOTES:

1. Body and Sleeve materials are made of Carbon Steel.
2. Shear pin materials as noted in the table.
3. O-Ring materials are 75 Durometer Fluorocarbon.
4. Back-up O-Ring materials are Polymer.
5. Maximum shear pressure per pin (Values vary by ± 10%)
6. Brass = 450 psi
7. Stainless Steel = 1000 psi